



# OASIS DP RO

Reverse Osmosis Units with Made in Italy components



# OASIS DP RO

## REVERSE OSMOSIS UNITS WITH MADE IN ITALY COMPONENTS

**OASIS DP is a range of RO units made up with patented and registered DP TRIO filter housings and with RO VESSEL, exclusive reverse osmosis membrane housing with double o-ring.**

OASIS DP are especially designed for the installation under the kitchen sink, complete with installation kit. All OASIS DP are based on a standard 6 stages unit, made up of: 3 pre-filtration stages, RO membrane stage, G.A.C. activated carbon post-filter stage, re-mineralizer post-filter stage. The units are available in 2 main versions:

- **OASIS DP with metal wall bracket**, available in 4 models:  
OASIS DP STD - standard 6 stages unit.  
OASIS DP PUMP - standard 6 stages unit with booster pump.  
OASIS DP UV - standard 6 stages unit with UV lamp.  
OASIS DP PUMP-UV - standard 6 stages unit with booster pump and UV lamp.
- **OASIS DP-F with metal frame**, available in 2 models:  
OASIS DP-F PUMP - standard 6 stages unit with booster pump.  
OASIS DP-F PUMP-UV - standard 6 stages unit with booster pump and UV lamp.

In case of inlet pressure below 3 bar (45.5 psi) use only models with pump (PUMP, PUMP-UV).

## Made in Italy components Exclusive Atlas Filtri Products

### DP TRIO filter housing

Triple housing made with reinforced PP head, reinforced PP white opaque bowls and clear bowl made in PET, a highly recyclable plastic, manufactured with energy-saving proprietary technology.

#### REGISTERED MODEL - PATENTED



Tested and certified by WQA against NSF/ANSI 42 and 61 for material safety and structural integrity requirements only.



### RO VESSEL membrane housing with double o-ring

Exclusive design with double o-ring to ensure perfect tightening.



### ORIGINAL SPANNERS

Spanner for RO VESSEL  
Spanner for DP TRIO filter housing



**FILTERFIT**  
Cartridge centering device



**O-RINGS**  
for DP TRIO filter housing



**LUBRIKIT**  
Single-dose lubricant for housing o-ring

## High efficiency pre-filter cartridges

### SEDIMENT



**PP MELT BLOWN**  
FILTER 5 micron

PP melt-blown filter: filtration of sand, scales, lime, rust, fine particles. Life-span: 3-6 months. Max temperature: 45°C (113°F).



CPP 10 SX 5 mcr cartridges are tested and certified by WQA against NSF/ANSI 61 Drinking Water Systems Components - Health Effects.

**CTO**  
CHLORINE  
TASTE ODOR



**CARBON G.A.C.**

Container with granular activated carbon: reduction of chlorine (bad tastes, odors) and chloride pollutants (pesticides, solvents). Life-span: 3-6 months. Max temperature: 45°C (113°F).

**CTO**  
CHLORINE  
TASTE ODOR



**CARBON BLOCK**  
FILTER 5 micron

Activated carbon block: filtration of fine particles, rust, lime, sand scales; reduction of chlorine (bad tastes, odors) and chloride pollutants (pesticides, solvents). Life-span: 3-6 months. Max temperature: 45°C (113°F).

## FILTER CARTRIDGES REPLACEMENT KIT

CODE RE6075200



Ask for original replacement filter cartridges and grant your OASIS DP RO unit the best performances.

STAGE 1: Sediment filter 5 micron  
STAGE 2: CTO Granular Activated Carbon (G.A.C.)  
STAGE 3: CTO Carbon Block filter 5 micron

### UNITS MAJOR FEATURES

- 50 GPD - 1812 RO membrane
- Quick-fit connections
- Shut-off valve (STD and UV models)
- Solenoid valve (PUMP and PUMP-UV models)
- Pressure gauge (F models with frame)
- Min pressure switch
- Max pressure switch
- AIC activated carbon post-filter
- AIM re-mineralizer post-filter
- Installation kit with dedicated tap
- 12 liters (3.2 gallons) metal storage tank
- AC plug 2 pins C type - CEE 7/16 (Europlug)

### COMPONENT VARIANTS AVAILABLE ON DEMAND

- 100 GPD - 1812 RO membrane
- Filmtac 50/100 GPD - 1812 RO membrane
- Lead free dedicated faucet
- 15,14 liters (4 gallons) plastic tank
- AC plugs of different types

### MADE IN ITALY COMPONENTS CERTIFICATIONS



The products are tested and certified under the most stringent procedures worldwide, in compliance with DM 25 (Italy), with the sanitary certification ACS (France), EAC/Ghostreghistrizia (Russia) and WaterMark (Australia).

### SYMBOLS LEGEND



For domestic use



Filter housings made in PET, a highly recyclable plastic, are manufactured with a proprietary procedure saving up to 60% of energy in injection molding compared with standard plastics. That is one of Atlas Filtri commitments to comply with Kyoto Treaty for the reduction of green house gas (CO<sub>2</sub>) emissions in the atmosphere.



OASIS DP MODELS WITH METAL WALL BRACKET



OASIS DP-F MODELS WITH METAL FRAME





# OASIS DP

## WORKING CONDITIONS

Max inlet pressure STD model	8 bar (116 psi)
Min inlet pressure STD model	3 bar (45.5 psi)
Max inlet pressure PUMP model	3 bar (45.5 psi)
Min inlet pressure PUMP model	0,5 bar (7.2 psi)

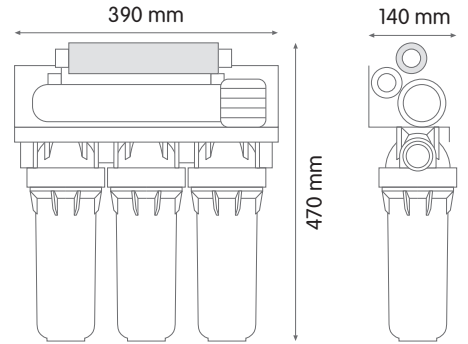
Max working temperature	45°C (113°F)
Min working temperature	4°C (39.2°F)
Max TDS	1000 ppm
Membrane capacity	50 GPD (190 l/day)



## OASIS DP STD

### RO UNIT WITH METAL WALL BRACKET

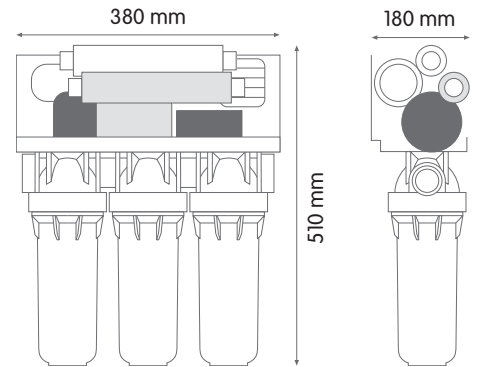
CODE	RE6075310
MODEL	OASIS DP TRIO 50 - STD
RO membrane	50 GPD - 1812



## OASIS DP PUMP

### RO UNIT WITH METAL WALL BRACKET

CODE	RE6075320
MODEL	OASIS DP TRIO 50 - PUMP
RO membrane	50 GPD - 1812



### DIAPHRAGM BOOSTER PUMP

SUPPLY POWER	220/110 V - 50/60 Hz
VOLTAGE	24 V
AMPERAGE	0,75 A
POWER	16 W
FLOW AT 5,5 bar (80 psi)	0,75 l/min (0.19 GPM)
OPEN FLOW	1 l/min (0.26 GPM)
MAX OUTPUT PRESSURE	8 bar (116 psi)



### COMPLETE WITH METAL STORAGE TANK

- 12 liters (3.2 gallons)

**WORKING CONDITIONS**

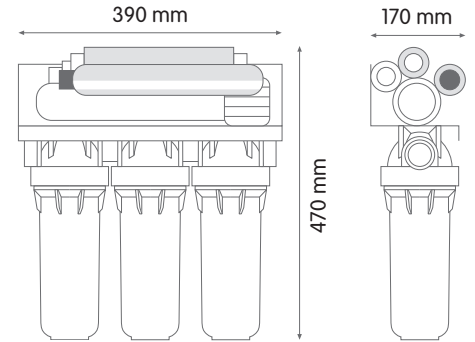
Max inlet pressure UV model \_\_\_\_\_ 8 bar (116 psi)  
 Min inlet pressure UV model \_\_\_\_\_ 3 bar (45.5 psi)  
 Max inlet pressure PUMP-UV model \_\_\_\_\_ 3 bar (45.5 psi)  
 Min inlet pressure PUMP-UV model \_\_\_\_\_ 0,5 bar (7.2 psi)

Max working temperature \_\_\_\_\_ 45°C (113°F)  
 Min working temperature \_\_\_\_\_ 4°C (39.2°F)  
 Max TDS \_\_\_\_\_ 1000 ppm  
 Membrane capacity \_\_\_\_\_ 50 GPD (190 l/day)



**OASIS DP UV**

RO UNIT WITH METAL WALL BRACKET	
CODE	RE6075330
MODEL	OASIS DP TRIO 50 - UV
RO membrane	50 GPD - 1812



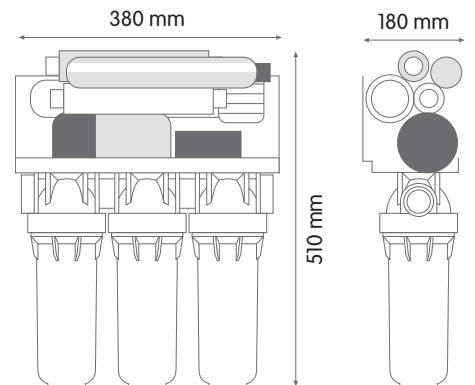
**UV LAMP**

UV-C DOSE	210 J/m <sup>2</sup>	
SUPPLY POWER	220/110 V - 50/60 Hz	
VOLTAGE	24 V	
AMPERAGE	0,16 A	
ELECTRICAL ABSORPTION	6 W/h	
LAMP SERVICE LIFE	8000 hours	



**OASIS DP PUMP-UV**

RO UNIT WITH METAL WALL BRACKET	
CODE	RE6075340
MODEL	OASIS DP TRIO 50 - PUMP-UV
RO membrane	50 GPD - 1812



**DIAPHRAGM BOOSTER PUMP**

SUPPLY POWER	220/110 V - 50/60 Hz	
VOLTAGE	24 V	
AMPERAGE	0,75 A	
POWER	16 W	
FLOW AT 5,5 bar (80 psi)	0,75 l/min (0.19 GPM)	
OPEN FLOW	1 l/min (0.26 GPM)	
MAX OUTPUT PRESSURE	8 bar (116 psi)	

**UV LAMP**

UV-C DOSE	210 J/m <sup>2</sup>	
SUPPLY POWER	220/110 V - 50/60 Hz	
VOLTAGE	24 V	
AMPERAGE	0,16 A	
ELECTRICAL ABSORPTION	6 W/h	
LAMP SERVICE LIFE	8000 hours	



**COMPLETE WITH METAL STORAGE TANK**

- 12 liters (3.2 gallons)



# OASIS DP-F

## WORKING CONDITIONS

Max inlet pressure \_\_\_\_\_ 3 bar (45.5 psi)  
 Min inlet pressure \_\_\_\_\_ 0.5 bar (7.2 psi)

Max working temperature \_\_\_\_\_ 45°C (113°F)  
 Min working temperature \_\_\_\_\_ 4°C (39.2°F)  
 Max TDS \_\_\_\_\_ 1000 ppm  
 Membrane capacity \_\_\_\_\_ 50 GPD (190 l/day)

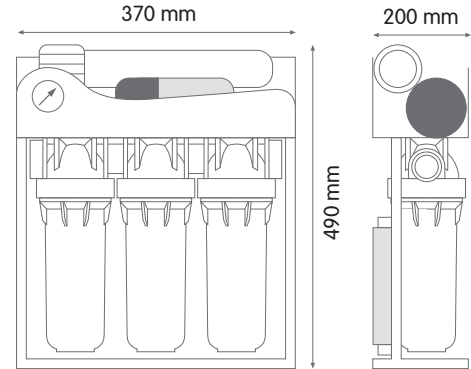


## COMPLETE WITH METAL STORAGE TANK

- 12 liters (3.2 gallons)

## OASIS DP-F PUMP

RO UNIT WITH METAL FRAME	
CODE	RE6075350
MODEL	OASIS DP-F TRIO 50 PUMP
RO membrane	50 GPD - 1812

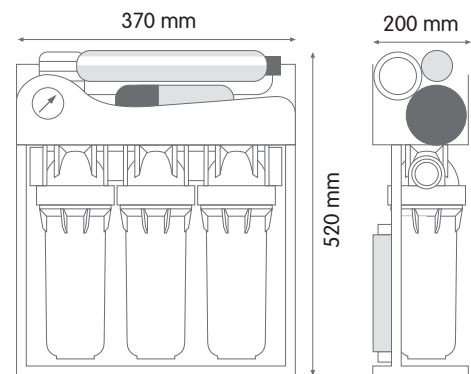


## DIAPHRAGM BOOSTER PUMP

SUPPLY POWER	220/110 V - 50/60 Hz	CE
VOLTAGE	24 V	
AMPERAGE	0,75 A	
POWER	16 W	
FLOW AT 5,5 bar (80 psi)	0,75 l/min (0.19 GPM)	
OPEN FLOW	1 l/min (0.26 GPM)	
MAX OUTPUT PRESSURE	8 bar (116 psi)	

## OASIS DP-F PUMP-UV

RO UNIT WITH METAL FRAME	
CODE	RE6075360
MODEL	OASIS DP-F TRIO 50 PUMP-UV
RO membrane	50 GPD - 1812



## DIAPHRAGM BOOSTER PUMP

SUPPLY POWER	220/110 V - 50/60 Hz	CE
VOLTAGE	24 V	
AMPERAGE	0,75 A	
POWER	16 W	
FLOW AT 5,5 bar (80 psi)	0,75 l/min (0.19 GPM)	
OPEN FLOW	1 l/min (0.26 GPM)	
MAX OUTPUT PRESSURE	8 bar (116 psi)	

## UV LAMP

UV-C DOSE	210 J/m <sup>2</sup>	CE
SUPPLY POWER	220/110 V - 50/60 Hz	
VOLTAGE	24 V	
AMPERAGE	0,16 A	
ELECTRICAL ABSORPTION	6 W/h	
LAMP SERVICE LIFE	8000 hours	

**SPARE PARTS**



DP TRIO 1/4" head CODE LB7100107



-TS- DP TRIO bowl with o-ring CODE LB7120835  
-BW- DP TRIO bowl with o-ring CODE LB7120841



O-ring kit for DP TRIO CODE RE7514331



-FILTERFIT- cartridge centering device CODE LA7406012



-X- spanner for DP TRIO CODE RB7403012



Spanner for RO VESSEL CODE RB7403014



-RO VESSEL- CODE RB6300100



O-ring kit for RO VESSEL CODE RE7513212



-LUBRIKIT- lubricant for housing o-ring CODE RE9020650



Cartridges kit for OASIS DP CODE RE6075200



Dedicated tap CODE RE7402000



Entry water tap CODE RE7402001



Metal storage tank 3.2 gallons CODE RE7402002



Tank valve junction 1/4" hose CODE RE7402003



AIC activated carbon post-filter CODE RE7402004



AIM re-mineralizer post-filter CODE RE7402005



Shut-off valve (STD and UV models) CODE RE7402006



Solenoid valve (PUMP and PUMP-UV models) CODE RE7402007



Min pressure switch CODE RE7402008



Max pressure switch CODE RE7402009



RO membrane 50 GPD - 1812 CODE RE7402010



Male elbow junction 1/8" thread x 1/4" hose with check valve CODE RE7402011



Drain clamp CODE RE7402012



In-line flow regulator CODE RE7402013



Pressure gauge (frame models) CODE RE7402014



Female straight junction 1/4" thread x 1/4" hose CODE RE7402015



Single clip 2,5" CODE RE7402016



Double clip 2,5" x 2" CODE RE7402017



Booster pump kit (pump, AC/DC adaptor - bracket models) CODE RE7402018



Manual flush valve (bracket models with pump) CODE RE7402019



Booster pump kit (pump, AC/DC adaptor, auto-flush valve - frame models) CODE RE7402020



Stainless steel UV with electric ballast CODE RE7402021



UV lamp for UV CODE RE7402022



PE hose 1/4" CODE RE7402023



Straight junction 1/4" thread x 1/4" hose CODE RE7402024



Male TE junction 1/4" thread x 1/4" hose CODE RE7402025



Elbow junction 1/4" hose CODE RE7402026



Male elbow junction 1/8" thread x 1/4" hose CODE RE7402027



Male elbow junction 1/4" thread x 1/4" hose CODE RE7402028



Male TS junction 1/4" thread x 1/4" hose CODE RE7402029



T junction 1/4" hose CODE RE7402030



**ATLAS FILTRI** is a registered trade mark of ATLAS FILTRI srl.  
Unauthorized use of the registered trade marks  
is strictly forbidden and legally persecuted.  
Images and texts are property of ATLAS FILTRI srl,  
which reserves the rights to change  
products design and specification without prior notice.

**ATLAS FILTRI s.r.l.**  
Via del Santo 227, I-35010 Limena, Italy.  
Tel. +39.049.76.90.55 Fax +39.049.76.99.94  
[www.atlasfiltri.com](http://www.atlasfiltri.com)